

**GENERAL NOTES:**

1. THE EXISTING CONDITION DEPICTED HEREON IS THE RESULT OF AN ON-THE-GROUND INSTRUMENT SURVEY PERFORMED BY THE MORIN-CAMERON GROUP, INC.
2. PROPERTY LINE INFORMATION COMPILED FROM "DEFINITIVE SUBDIVISION PLAN OF LAND IN BOXFORD, MASS., FOR ARROWHEAD FARM", RECORDED WITH THE SOUTHERN ESSEX REGISTRY OF DEEDS, PLAN BOOK 220, PLAN 63, AND AN ON GROUND SURVEY AND SHOULD BE CONSIDERED APPROXIMATE.
3. UNDERGROUND UTILITY INFORMATION AND LOCATIONS WERE NOT AVAILABLE AT THE TIME OF SURVEY. LOCATIONS OF ALL UTILITIES SHOULD BE CONFIRMED WITH THE UTILITY PROVIDED PRIOR TO THE COMMENCEMENT OF ANY SITE WORK. THE CONTRACTOR MUST CONTACT THE APPROPRIATE UTILITY COMPANY, ANY GOVERNING PERMITTING AUTHORITY, AND "DIGSAFE" AT LEAST 72 HOURS PRIOR TO ANY EXCAVATION WORK TO REQUEST EXACT FIELD LOCATION OF UTILITIES.

**WETLAND NOTE:**

- WETLAND RESOURCE AREA DELINEATED ON OCTOBER 28, 2019 BY DEROSA ENVIRONMENTAL CONSULTING, INC., 167 MAIN STREET, PO BOX 716, ROWLEY, MA 01969 (978-948-7717).

**RECORD OWNER:**

- ANASTASIYA V & BARRY S CARNES  
30 ARROWHEAD FARM ROAD  
BOXFORD MA, 01921  
DEED BOOK 37395 PAGE 257  
ASSESSORS MAP 37, BLOCK 1, LOT 31

**WETLAND NOTE:**

- WETLAND RESOURCE AREA DELINEATED ON OCTOBER 28, 2019 BY DEROSA ENVIRONMENTAL CONSULTING, INC., 167 MAIN STREET, PO BOX 716, ROWLEY, MA 01969 (978-948-7717).

**FLOOD NOTE:**

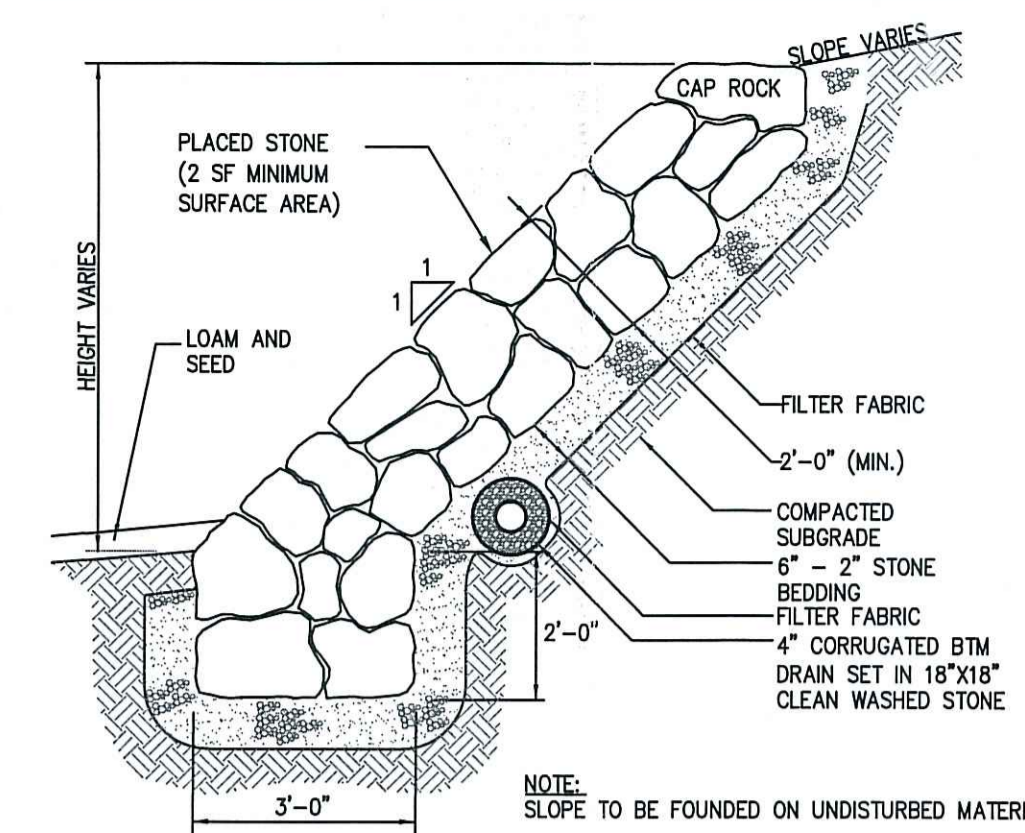
- THE SUBJECT PROPERTY IS LOCATED IN A ZONE X: AREA OF MINIMAL FLOOD HAZARD ABOVE THE 500-YEAR FLOOD LEVEL AS ILLUSTRATED ON THE FLOOD INSURANCE RATE MAP COMMUNITY PANEL NO. 25009C0263F, WHICH HAS AN EFFECTIVE DATE OF JULY 3, 2012.

**DATUM:**

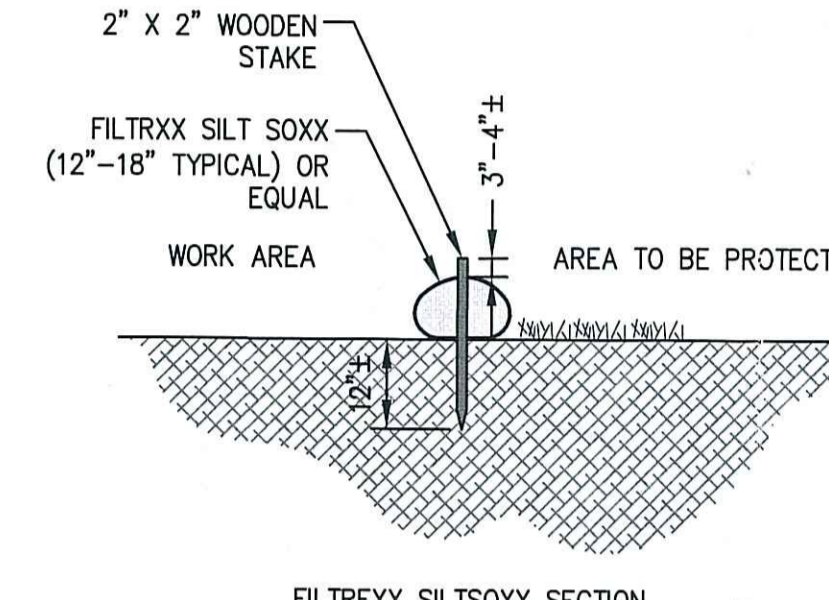
- ELEVATIONS HEREON ARE BASED ON AN ASSUMED DATUM.

**DISCRETIONARY CUTTING AREA CALCULATIONS:**

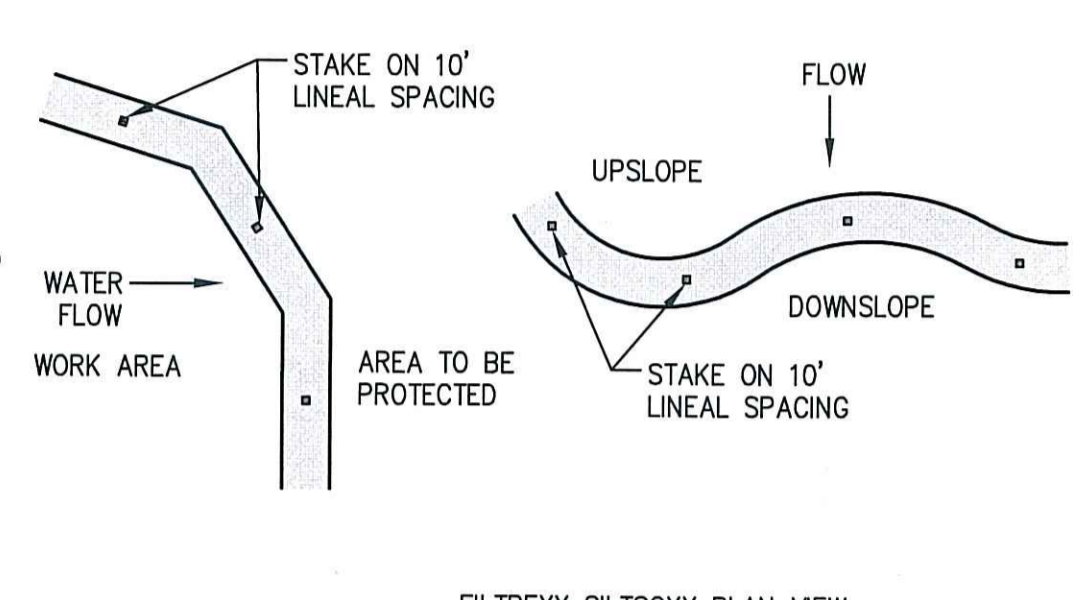
- EXISTING OVERSTORY WITHIN DISCRETIONARY CUTTING AREA = 12,400 SF±
- PROPOSED DISCRETIONARY CUTTING AREA TO BE ALTERED= 100 SF± (0.8%)±



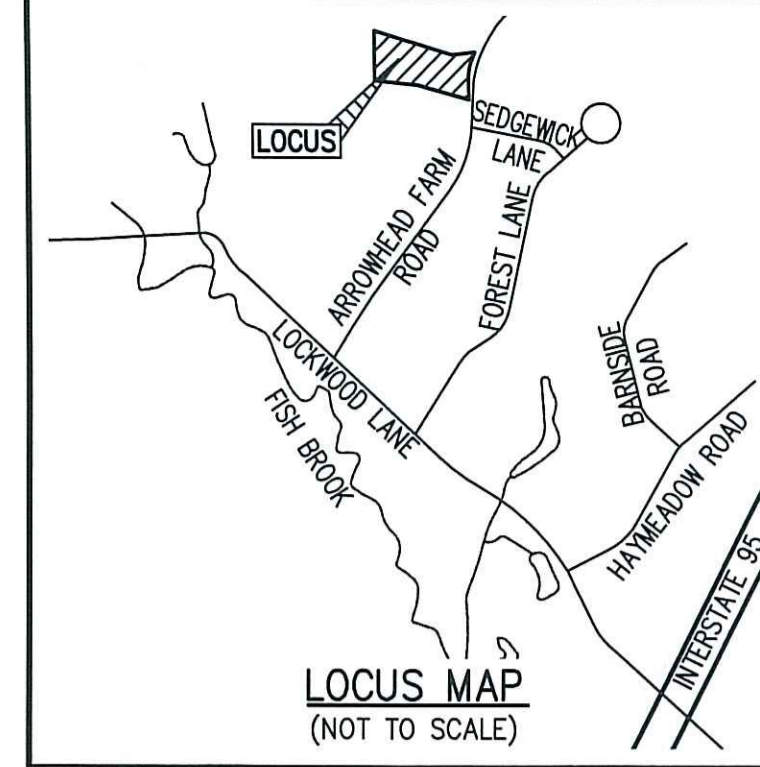
**1V:1H PLACED STONE SLOPE**  
(NOT TO SCALE)



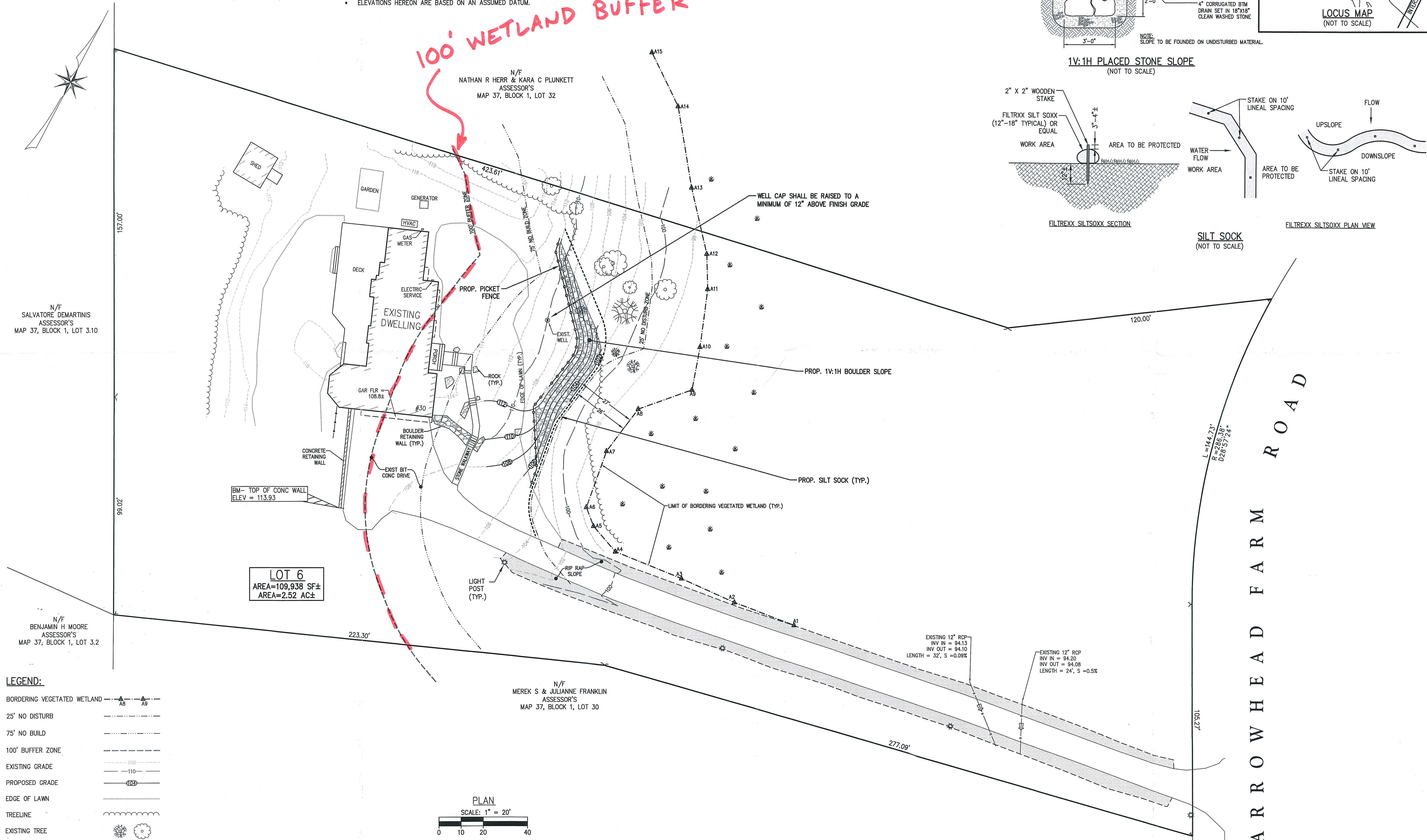
**FILTRXXX SILT SOCK SECTION**



**SILT SOCK**  
(NOT TO SCALE)

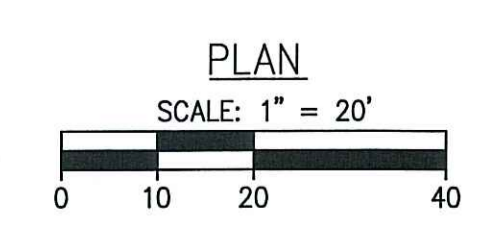


**100' WETLAND BUFFER**

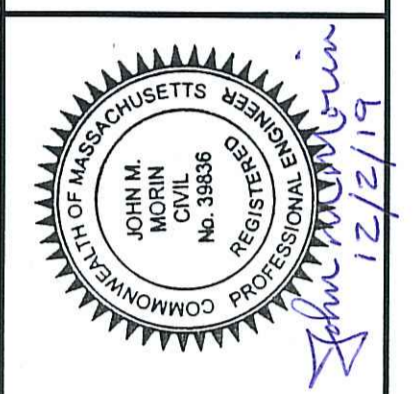


**LEGEND:**

BORDERING VEGETATED WETLAND	---▲---▲---
25' NO DISTURB	---
75' NO BUILD	---
100' BUFFER ZONE	---
EXISTING GRADE	---108---
PROPOSED GRADE	---110---
EDGE OF LAWN	---102---
TREELINE	~~~~~
EXISTING TREE	⊗



The  
**Morin-Cameron GROUP, INC.**  
CIVIL ENGINEERS | ENVIRONMENTAL CONSULTANTS  
LAND SURVEYORS | UTILITY ENGINEERS  
167 MAIN STREET, ROWLEY, MASSACHUSETTS 01969  
P: 978-777-8888, F: 978-774-3488, W: WWW.MORINCAMERON.COM



SURVEY BY:	PM/SR
DRAFTED BY:	WAS
CHECKED BY:	JMM
APPROVED BY:	JMM
SCALE:	AS NOTED
DATE:	NOVEMBER 6, 2019

REVISIONS	
NO.	DESCRIPTION
1	ADD PROPOSED FENCE

**SITE PLAN OF LAND**  
IN  
**BOXFORD, MASSACHUSETTS**  
**30 ARROWHEAD FARM ROAD**  
(ASSESSOR'S MAP 37, BLOCK 1, LOT 31)  
PREPARED FOR:  
**BARRY CARNES**

**SDP**  
DRAWING NO.  
**1 OF 1**