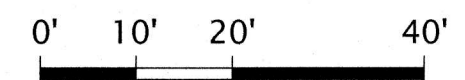
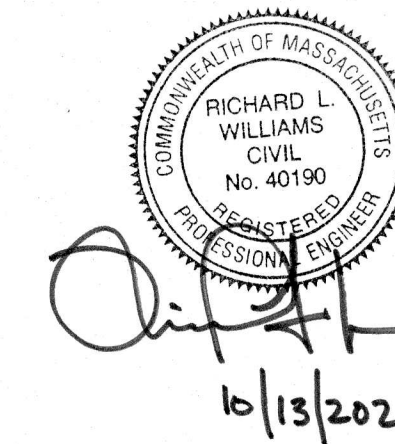
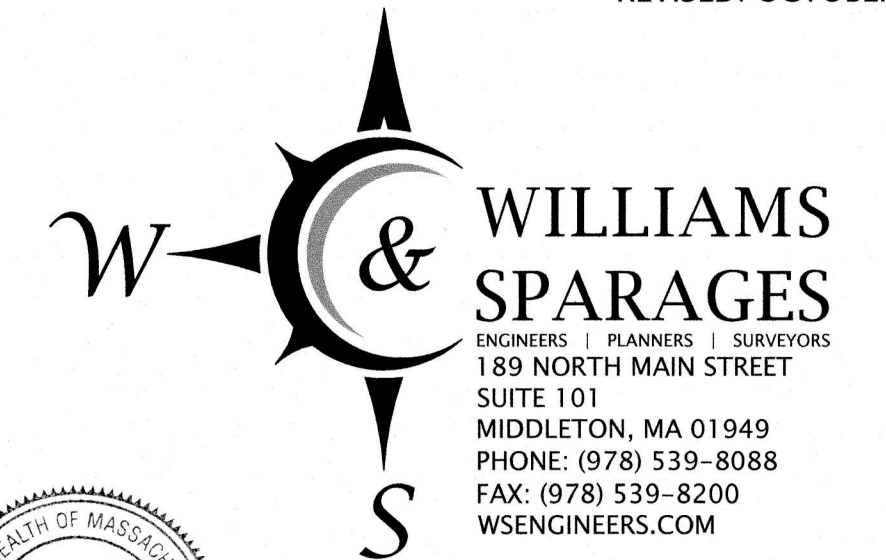


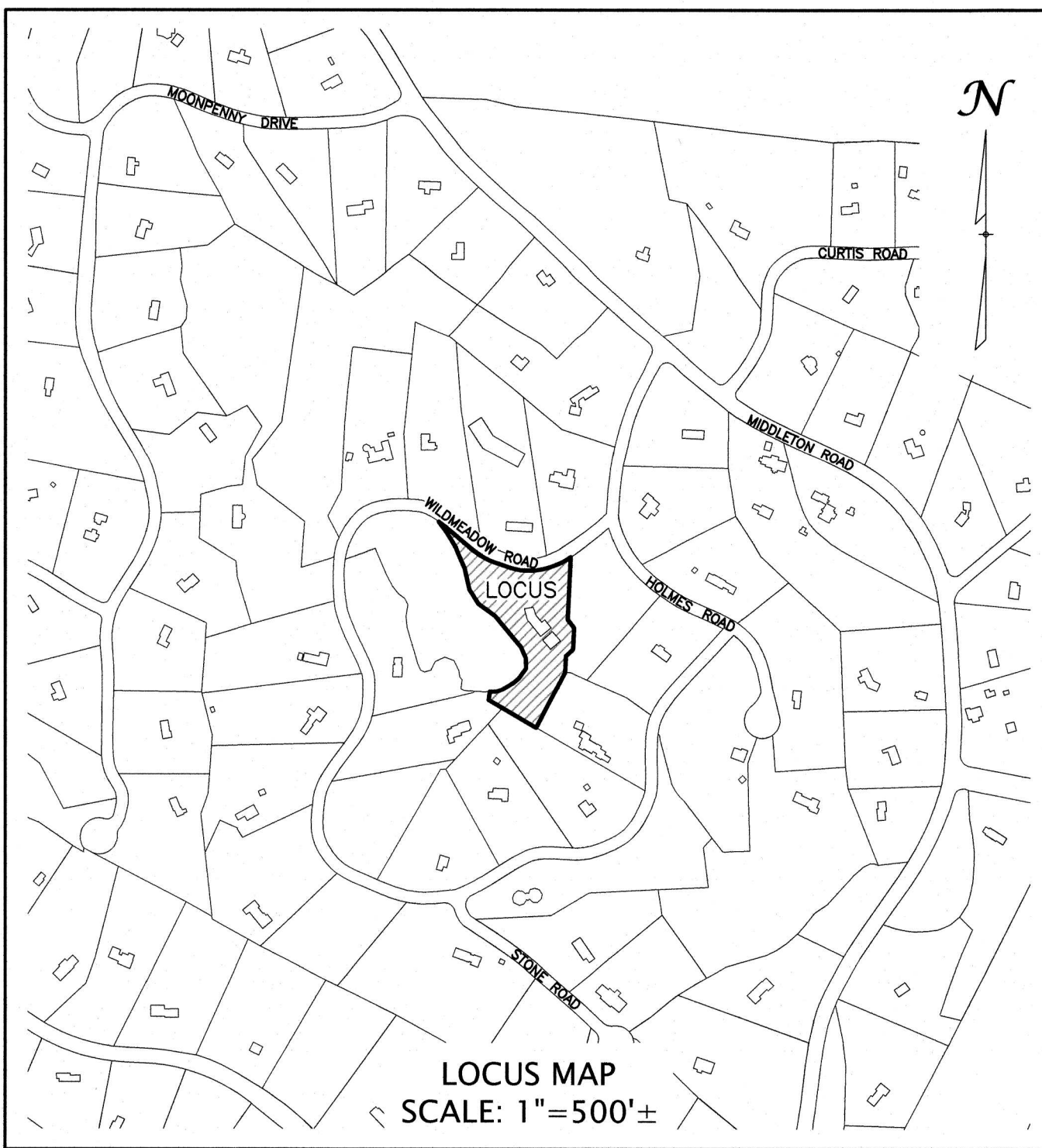
# PLAN TO ACCOMPANY A NOTICE OF INTENT 4 WILDMEADOW ROAD BOXFORD, MA

SCALE: 1" = 20'  DATE: SEPTEMBER 15, 2020  
REVISED: OCTOBER 13, 2020



**NOTES:**

- ALL ELEVATIONS SHOWN ARE REFERENCED TO A PLAN ENTITLED "PERMIT SITE PLAN, 4 WILDMEADOW ROAD, BOXFORD, MASSACHUSETTS 01921" BY HANCOCK ASSOCIATES DATED SEPTEMBER 19, 2019.
- WETLAND RESOURCE AREA, SEPTIC LOCATION AND STRUCTURES SHOWN TAKEN FROM A PLAN ENTITLED "PERMIT SITE PLAN, 4 WILDMEADOW ROAD, BOXFORD, MASSACHUSETTS 01921" BY HANCOCK ASSOCIATES DATED SEPTEMBER 19, 2019.
- AS BUILT INFORMATION SHOWN IS THE RESULT OF AN ACTUAL FIELD SURVEY CONDUCTED BY WILLIAMS & SPARGES LLC ON AUGUST 31, 2020.
- PROPOSED POOL AND PATIO AREAS COMBINED COMBINE FOR APPROXIMATELY 1,460 S.F. OF IMPERVIOUS AREA.



**LEGEND OF ABBREVIATIONS & SYMBOLS**

EXISTING 2-FOOT CONTOUR	---	92
EXISTING 10-FOOT CONTOUR	---	90
EXISTING SPOT ELEVATION	x	91.69
EDGE OF DISTURBED	~	
CONCRETE RETAINING WALL	▬	
RAILROAD TIES	▬	
APPROX. SEWER	-S-	
AC UNIT	⊠	
GAS METER	⊠	
ELECTRIC METER	⊠	
WELL	⊠	
TYPICAL	⊠	TYP.
PROPOSED MULCH SOCK	●	

**ZONING DISTRICT: RESIDENCE  
-AGRICULTURAL DISTRICT (R-A)**

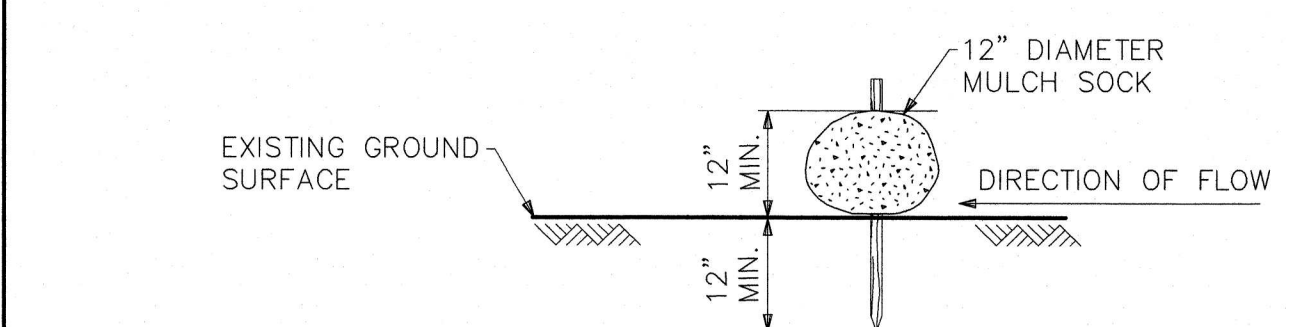
MINIMUM LOT AREA = 2 ACRES  
MINIMUM LOT FRONTAGE = 250 FEET  
FRONT YARD SETBACK = 50 FEET  
SIDE YARD SETBACK = 25 FEET  
REAR YARD SETBACK = 25 FEET  
MAXIMUM LOT COVERAGE = 25%  
MAXIMUM BUILDING HEIGHT = 35 FEET  
MAXIMUM BUILDING HEIGHT = 3 STORIES

**PROPERTY ADDRESS:**  
#4 WILDMEADOW ROAD  
BOXFORD, MA 01921

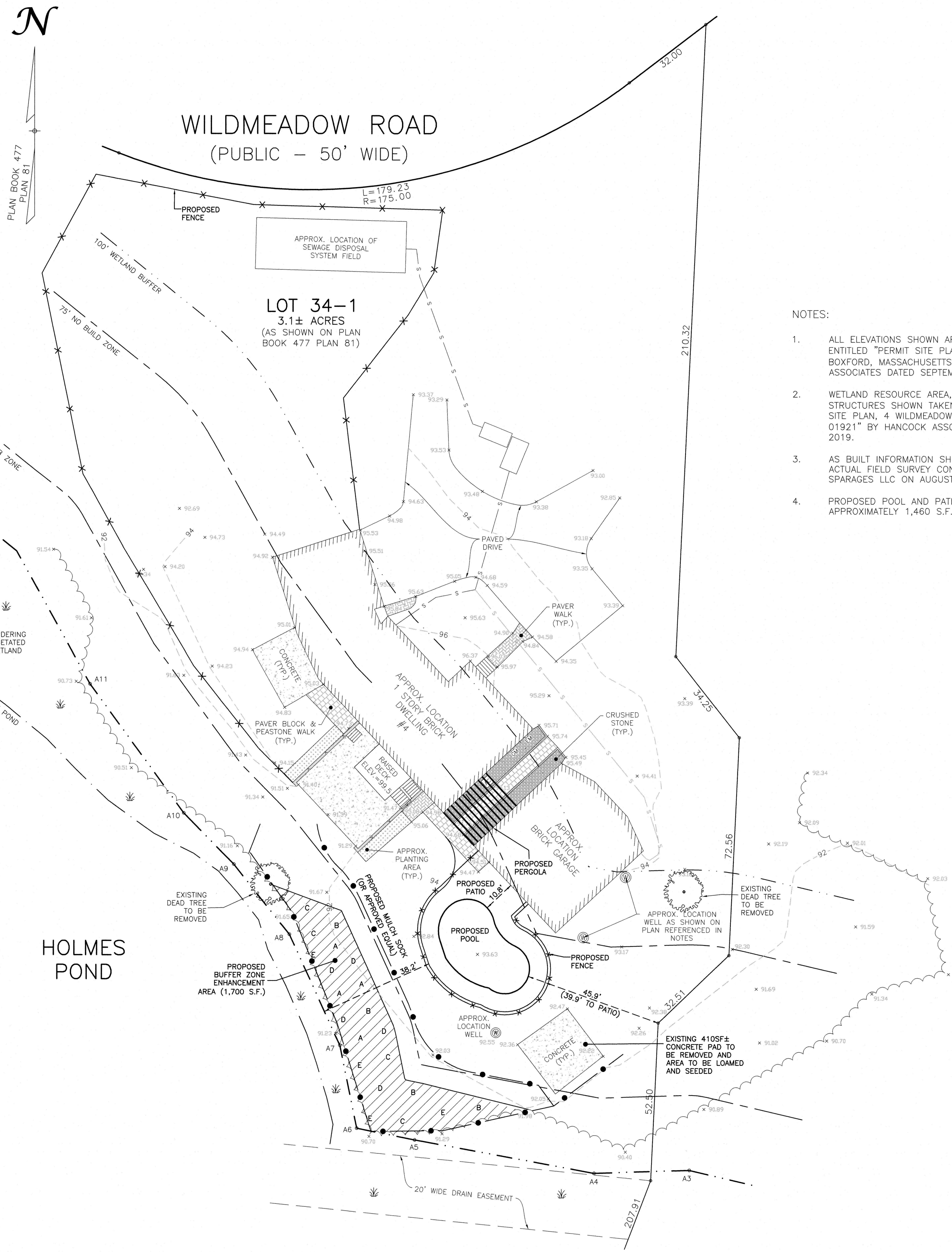
**DEED REFERENCE:**  
BOOK 38883 PAGE 557 RECORDED WITH  
ESSEX SOUTH REGISTRY OF DEEDS (ESRD)

**PLAN REFERENCES:**  
PLAN BOOK 477 PLAN 81  
RECORDED WITH ESSEX SOUTH  
REGISTRY OF DEEDS (ESRD)

**ASSESSORS MAP REFERENCE:**  
MAP 40 BLOCK 1 PARCEL 71



**MULCH SOCK  
DETAIL**  
(NOT TO SCALE)



**NEW ENGLAND WETLAND PLANTS, INC.**  
820 WEST STREET, AMHERST, MA 01002  
PHONE: 413-548-8000 FAX: 413-549-4000  
EMAIL: INFO@NEWP.COM WEB ADDRESS: WWW.NEWP.COM

**New England Wetmix (Wetland Seed Mix)**

Botanical Name	Common Name	Indicator
<i>Carex vaginuloides</i>	Fox Sedge	OBL
<i>Carex scoparia</i>	Blunt Brown Sedge	FACW
<i>Carex lasiocoma</i>	Lund Sedge	OBL
<i>Carex lupulina</i>	Hoop Sedge	OBL
<i>Poa polystris</i>	Fowl Bluegrass	FACW
<i>Eleocharis acicularis</i>	Beggar Ticks	FACW
<i>Scirpus atrovirens</i>	Green Bulrush	OBL
<i>Alopecurus incarnina</i>	Swamp Milkweed	OBL
<i>Carex crinita</i>	Fringed Sedge	OBL
<i>Fernoxia novboracensis</i>	New York Ironweed	FACW+
<i>Juncus effusus</i>	Soft Rush	FACW+
<i>Aster lateriflorus (Symphyotrichum lateriflorum)</i>	Starved/Calico Aster	FACW
<i>Iris versicolor</i>	Blue Flag	OBL
<i>Glyceria grandis</i>	American Mannagrass	OBL
<i>Limnolobos virginicus</i>	Square Stemmed Monkey Flower	OBL
<i>Eupatorium maculatum (Eutrochium maculatum)</i>	Spotted Joe Pye Weed	OBL

PRICE PER LB. \$135.00 MIN. QUANTITY 1 LBS. TOTAL \$135.00 APPLY: 18 LBS/ACRE (2500 sq ft)

The New England Wetmix (Wetland Seed Mix) contains a wide variety of native seeds that are suitable for most wetland restoration sites that are not permanently flooded. All species are best suited to moist ground as found in most wet meadows, scrub shrub, or forested wetland restoration areas. The mix is well suited for detention basin borders and the bottom of detention basins not generally under standing water. The seeds will not germinate under inundated conditions. If planted during the fall months the seed mix will germinate the following spring. During the first season of growth several species will produce seeds while other species will produce seeds after the second growing season. Not all species will grow in all wetland situations. This mix is comprised of the wetland species most likely to grow in created/restored wetlands and should produce more than 75% ground cover in two full growing seasons.

The wetland seeds in this mix can be sown by hand, with a hand-held spreader, or hydro-seeded on large or hard to reach sites. Lightly rake to insure good seed-to-soil contact. Seeding can take place on frozen soil, as the freezing and thawing weather of late fall and late winter will work the seed into the soil. If spring conditions are drier than usual watering may be required. If sowing during the summer months supplemental watering will likely be required until germination. A light mulch of clean, weed free straw is recommended.

New England Wetland Plants, Inc. may modify seed mixes at any time depending upon seed availability. The design criteria and ecological function of the mix will remain unchanged. Price is 5/16 bulk round, FOB warehouse, Plus 5% and applicable taxes.

- PROPOSED BUFFER ZONE ENHANCEMENT AREA SPECIES**
- A. (4) - 3' - 4' Highbush Blueberry *VACCINIUM CORYMBOSUM*
  - B. (4) - 3' - 4' Silky Dogwood *CORNUS AMOMUM*
  - C. (4) - 3' - 4' Sweet Pepperbush *CLETHRA ALNIFOLIA*
  - D. (5) - 3' - 4' Serviceberry *AMELANCHIER CANADENSIS/ARBOREA*
  - E. (4) - 4'-6' Cranberry Viburnum *VIBURNUM TRILOBUM*

**SEED MIX:**  
NEW ENGLAND WETLAND SEED MIX  
APPLICATION RATE: 1 LB / 2,500 SQ. FT.