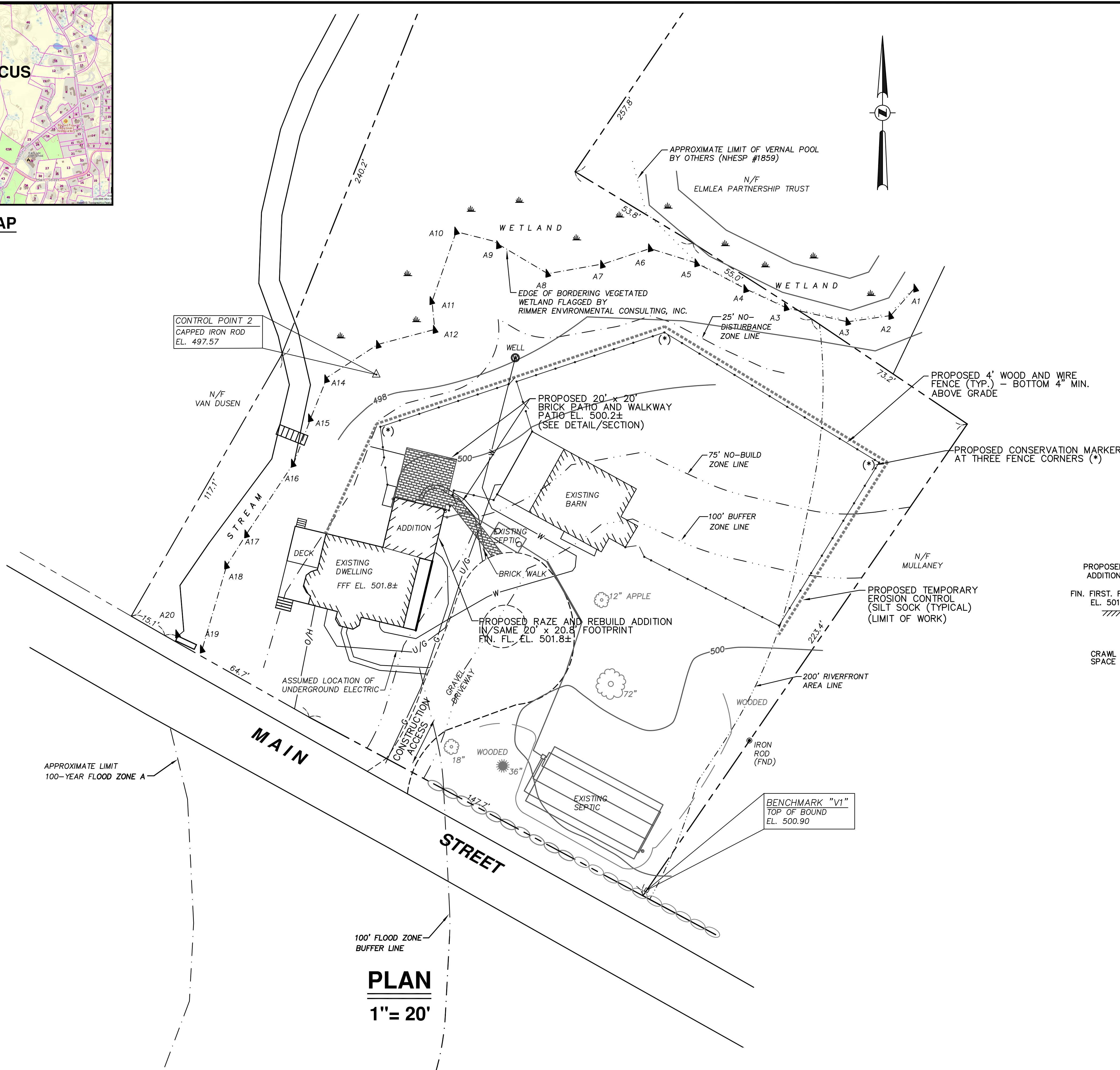


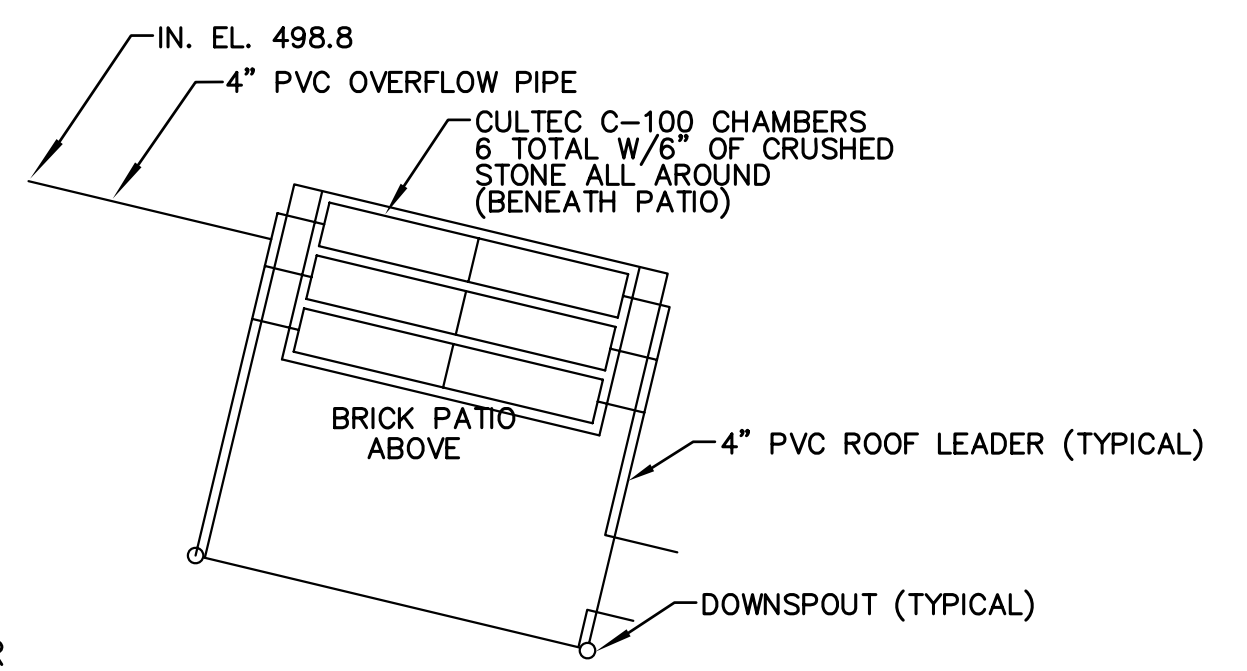
**LOCUS MAP**  
1"=1000'±



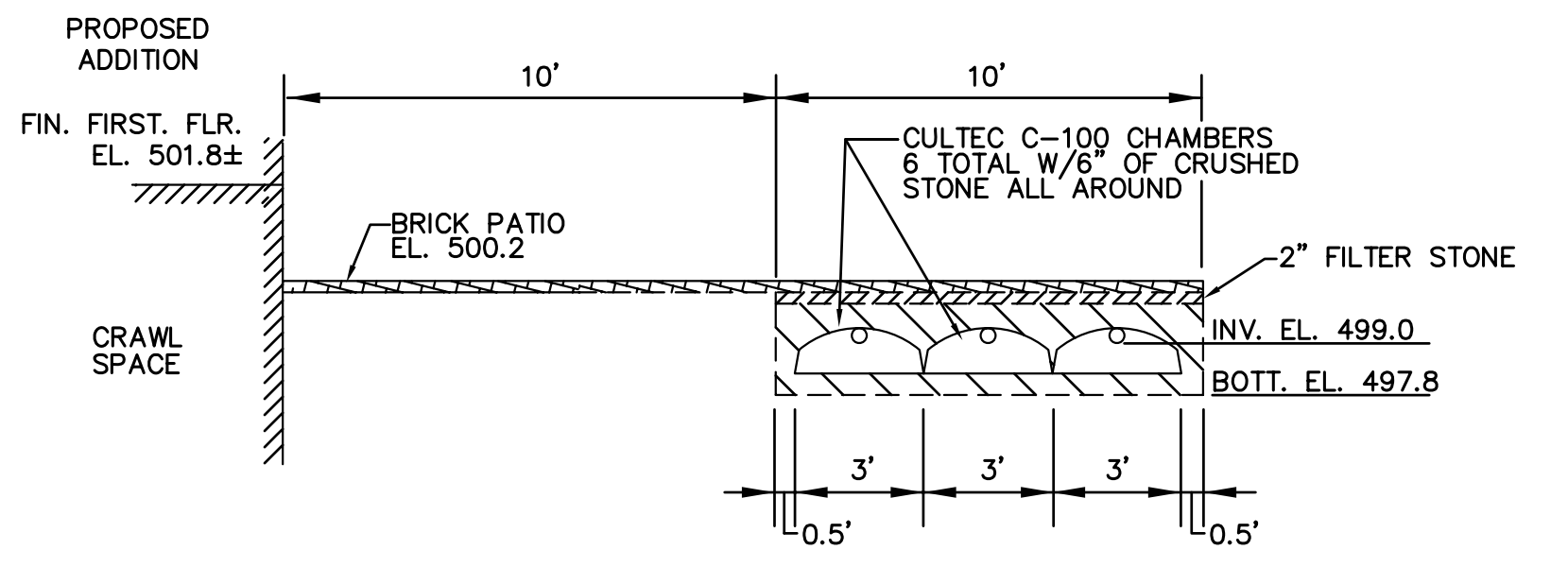
**PLAN**  
1"= 20'

**NOTES - SPECIFIC**

1. OWNER AND APPLICANT: ERIC CZERLONKA  
77 MAIN STREET  
BOXFORD, MA 01921
2. LOT BOUNDARIES DEPICTED HEREON ARE THE RESULT OF A BOUNDARY SURVEY AND DETERMINATION BY DONOHOE SURVEY, INC. SEE PLAN BOOK 472, PLAN 17.
3. ASSESSORS DESIGNATION: PART OF MAP 28, BLOCK 1, LOT 2  
AREA = 3.8± ACRES.
4. TOPOGRAPHY SHOWN AS OF JULY, 2019. VERTICAL DATUM IS ASSUMED.



**PATIO/INFILTRATION DETAIL**  
1" = 10'



**PATIO/INFILTRATION SECTION**  
NO SCALE

**PERMIT PLAN**  
prepared for  
**NORTHERN LIVE OAK DEVELOPMENT**

77 MAIN STREET BOXFORD, MA

**GRAHAM ASSOCIATES, INC.**  
CIVIL ENGINEERS  
TWO CENTRAL STREET, IPSWICH, MA 01938 (978) 356-2756

DRAWN BY: JC/GMM	CHECKED BY: HLG/GMM	PROJECT NO.: 19-1919-1
DATE: JUNE 22, 2022	SCALE: AS SHOWN	SHEET 1 OF 1