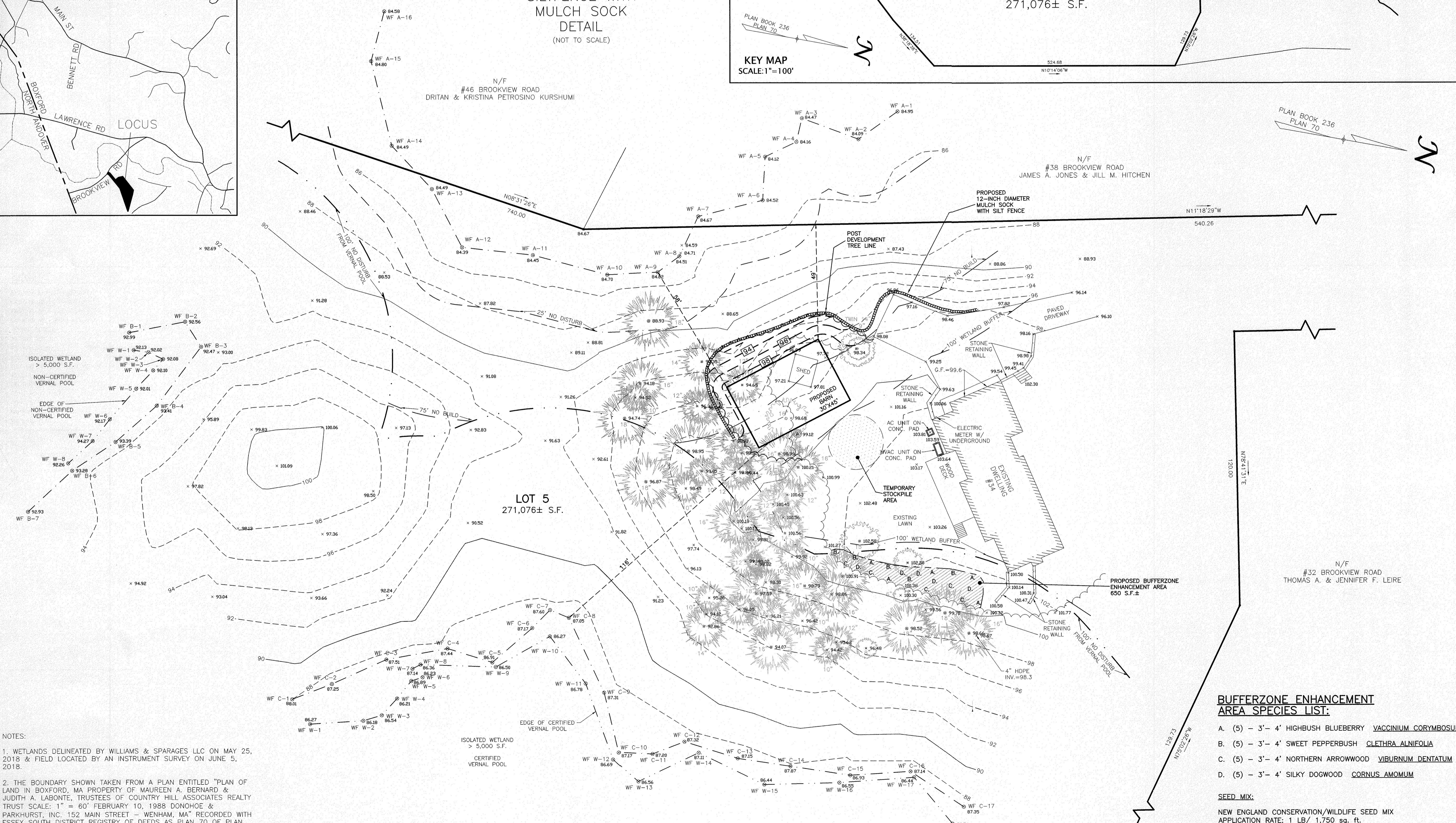
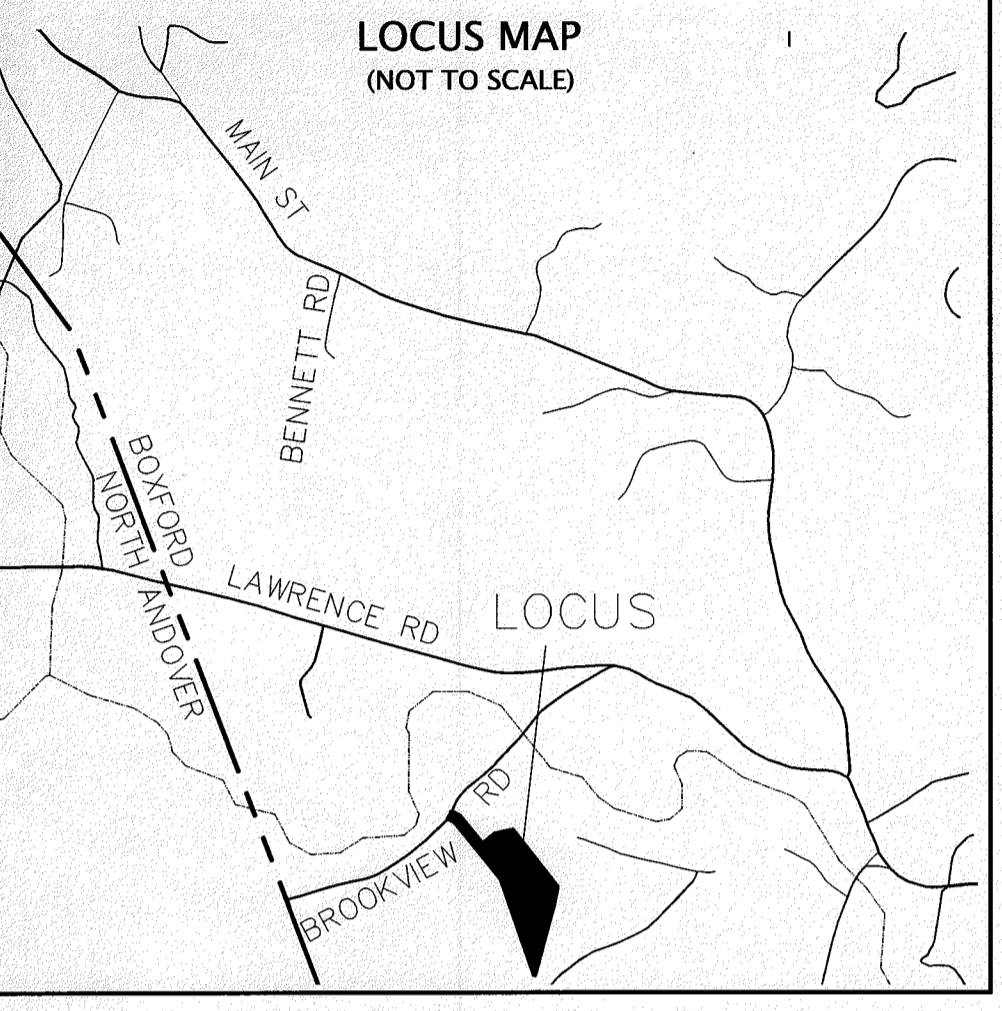
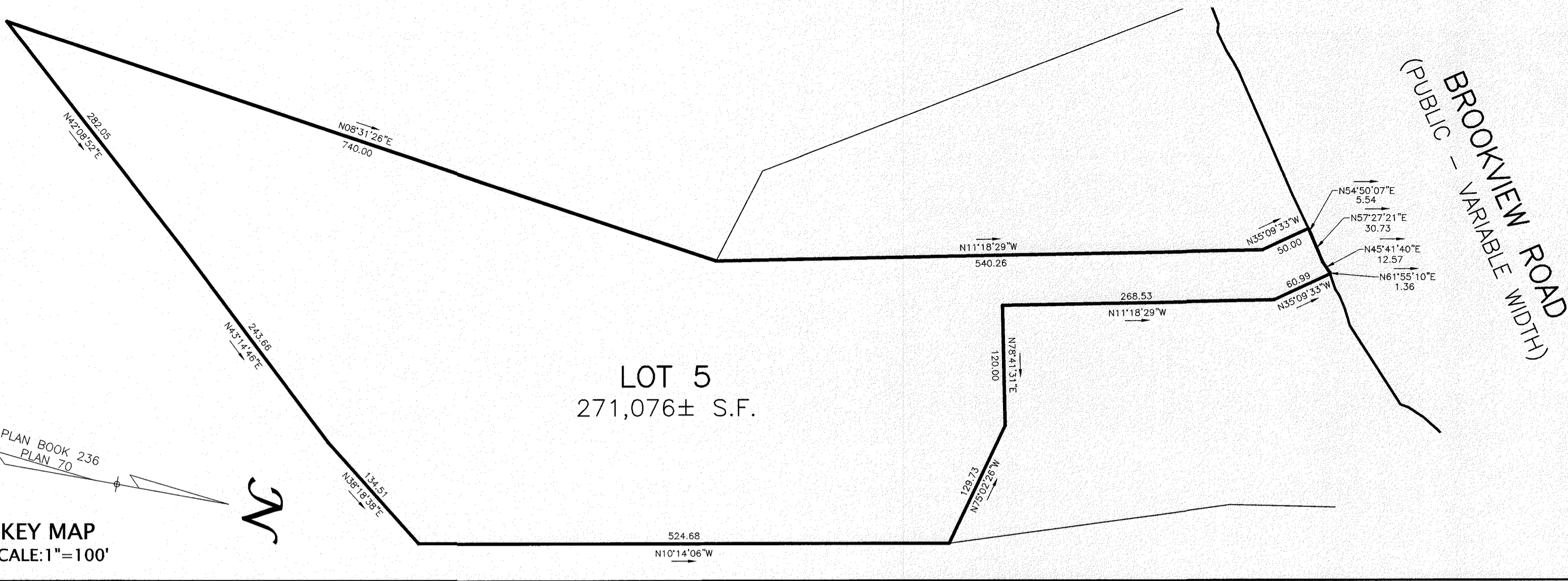
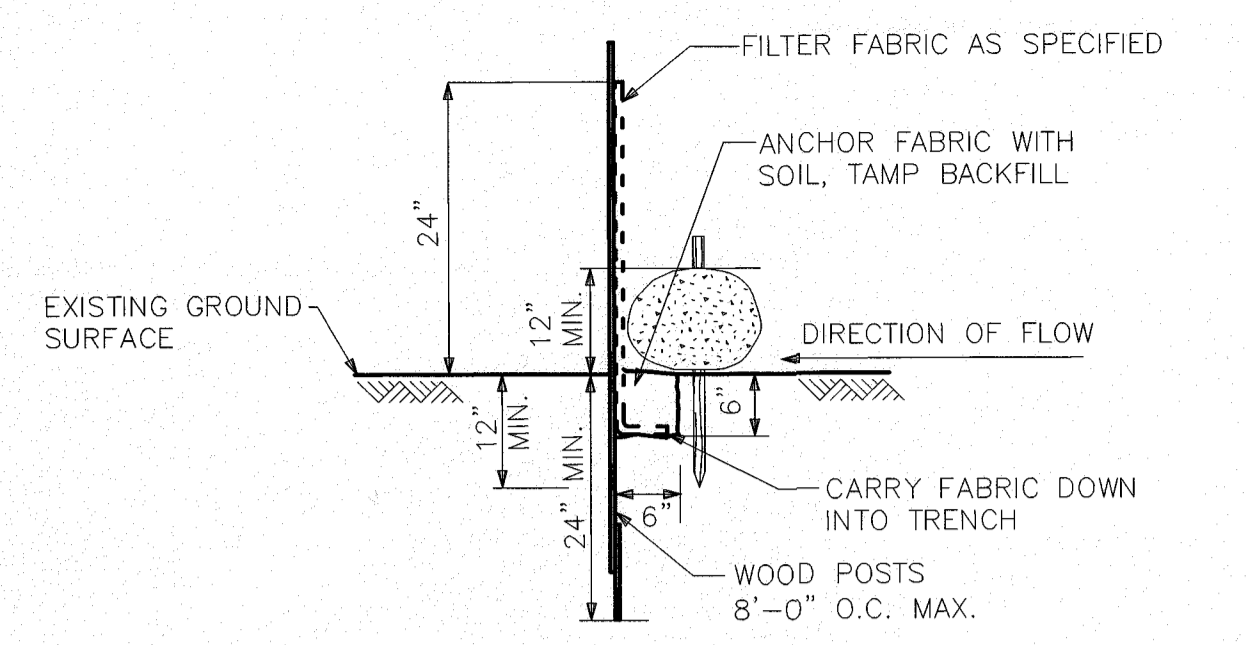


LEGEND

EXISTING 2-FOOT CONTOUR	---	98
EXISTING 10-FOOT CONTOUR	---	100
EXISTING SPOT ELEVATION	x	103.26
ISOLATED VEGETATED WETLAND	---	
VERNAL POOL	---	
25' NO DISTURB	---	
75' NO BUILD	---	
100' WETLAND BUFFER	---	
100' NO DISTURB FROM VERNAL POOL	---	
WELL	⊙	
DECIDUOUS TREE	⊙	
CONIFEROUS TREE	⊙	
CONCRETE	⊙	CONC.
GARAGE FLOOR	⊙	G.F.
WETLAND FLAG	⊙	WF

ZONING DISTRICT: RESIDENCE
-AGRICULTURAL DISTRICT (R-A)

MINIMUM LOT AREA = 2 ACRES
 MINIMUM LOT FRONTAGE = 250 FEET
 MINIMUM LOT WIDTH = 200 FEET
 FRONT YARD SETBACK = 50 FEET
 SIDE YARD SETBACK = 25 FEET
 REAR YARD SETBACK = 25 FEET
 MAXIMUM LOT COVERAGE = 25%



NOTES:

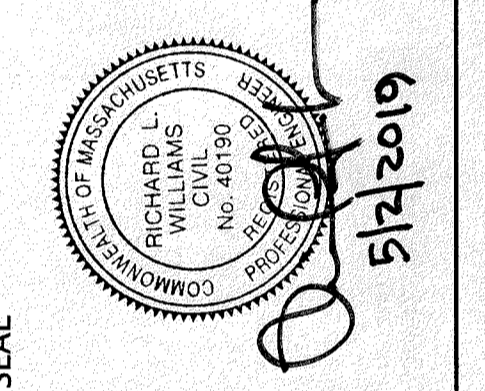
- WETLANDS DELINEATED BY WILLIAMS & SPARAGES LLC ON MAY 25, 2018 & FIELD LOCATED BY AN INSTRUMENT SURVEY ON JUNE 5, 2018.
- THE BOUNDARY SHOWN TAKEN FROM A PLAN ENTITLED "PLAN OF LAND IN BOXFORD, MA PROPERTY OF MAUREEN A. BERNARD & JUDITH A. LABONTE, TRUSTEES OF COUNTRY HILL ASSOCIATES REALTY TRUST SCALE: 1" = 60' FEBRUARY 10, 1988 DONOHOE & PARKHURST, INC. 152 MAIN STREET - WENHAM, MA" RECORDED WITH ESSEX SOUTH DISTRICT REGISTRY OF DEEDS AS PLAN 70 OF PLAN BOOK 236.

WILLIAMS & SPARAGES
 189 NORTH MAIN STREET
 MIDDLETON, MA 01948
 PHONE: (978) 539-8088
 FAX: (978) 539-8200
 WSPARAGES.COM

Owner/Applicant:
 Oliver Parker McComas &
 Ursula A. McComas
 34 Brookview Road
 Boxford, MA 01921

Designed By: SML
 Drawn By: SML
 Reviewed By: GJH
 Project Manager: GJH
 Job File Number: BOXF-0061
 Drawing File Folder: BOXF61

Drawing issued for Review Only
 Drawing issued for Permit
 Drawing issued for Construction



PLAN TO ACCOMPANY A NOTICE OF INTENT
 #34 BROOKVIEW ROAD, BOXFORD

SCALE: 1" = 20'

MAY 2, 2019

DRAWING: EX-1
 SHEET 1 OF 1

BUFFERZONE ENHANCEMENT AREA SPECIES LIST:

- (5) - 3'- 4' HIGHBUSH BLUEBERRY *VACCINIUM CORYMBOSUM*
- (5) - 3'- 4' SWEET PEPPERBUSH *CLETHRA ALNIFOLIA*
- (5) - 3'- 4' NORTHERN ARROWWOOD *VIBURNUM DENTATUM*
- (5) - 3'- 4' SILKY DOGWOOD *CORNUS AMOMUM*

SEED MIX:
 NEW ENGLAND CONSERVATION/WILDLIFE SEED MIX
 APPLICATION RATE: 1 LB / 1,750 sq. ft.
 AREA SHALL BE SCARIFIED USING A STEEL RAKE PRIOR TO SEEDING