

LEGEND OF ABBREVIATIONS & SYMBOLS

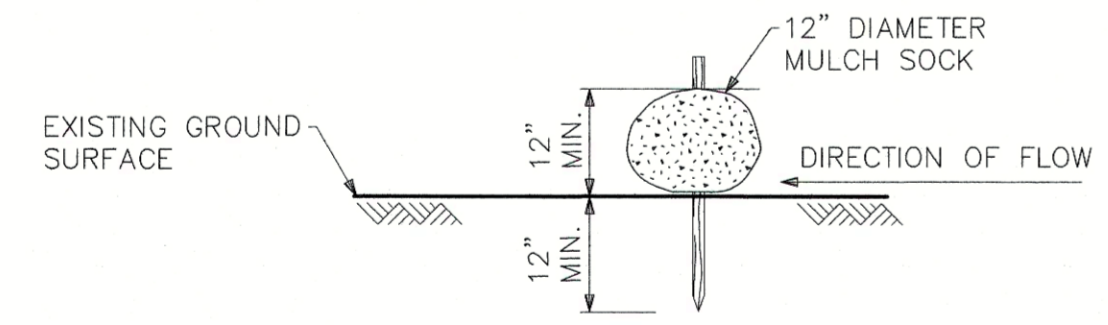
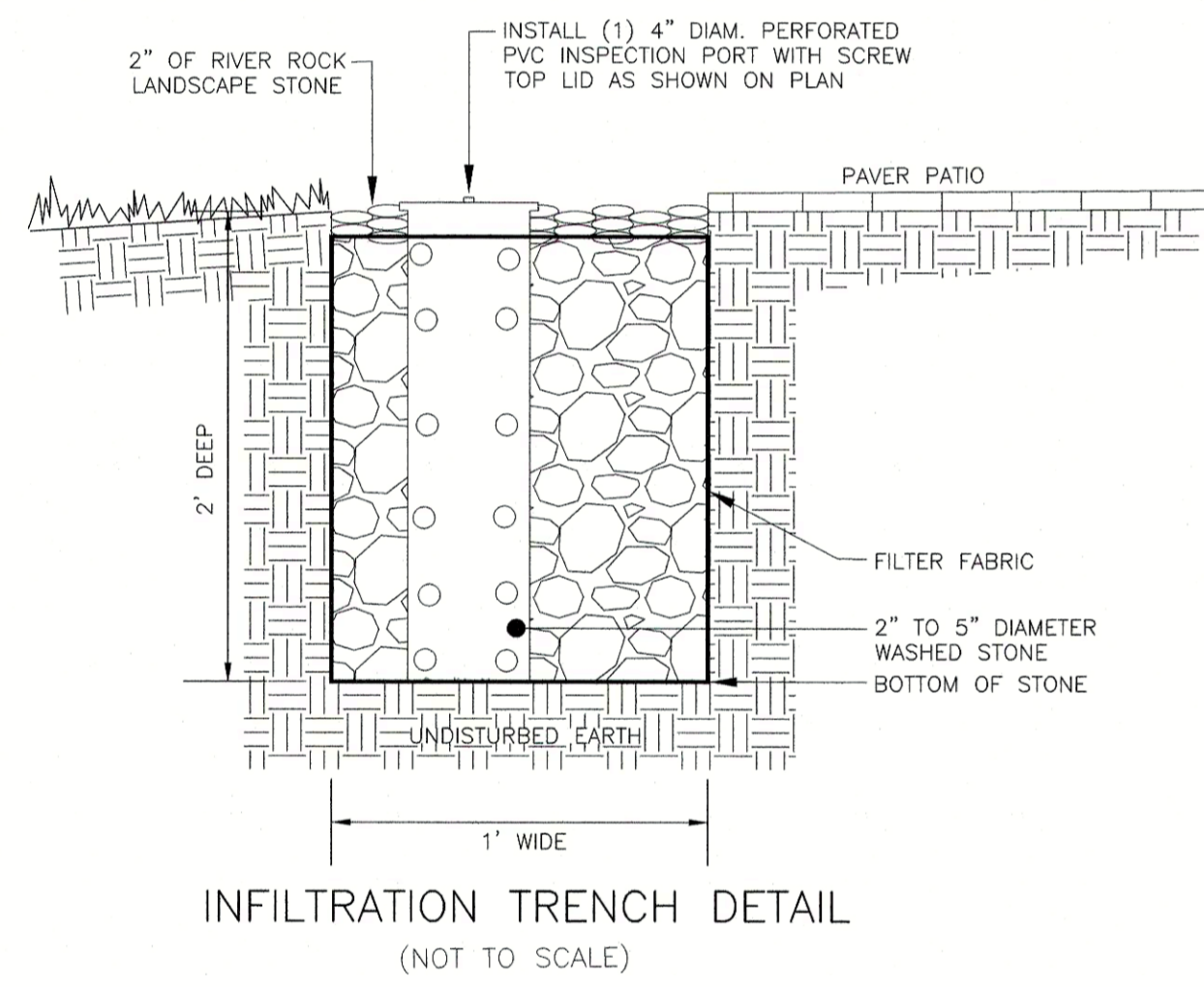
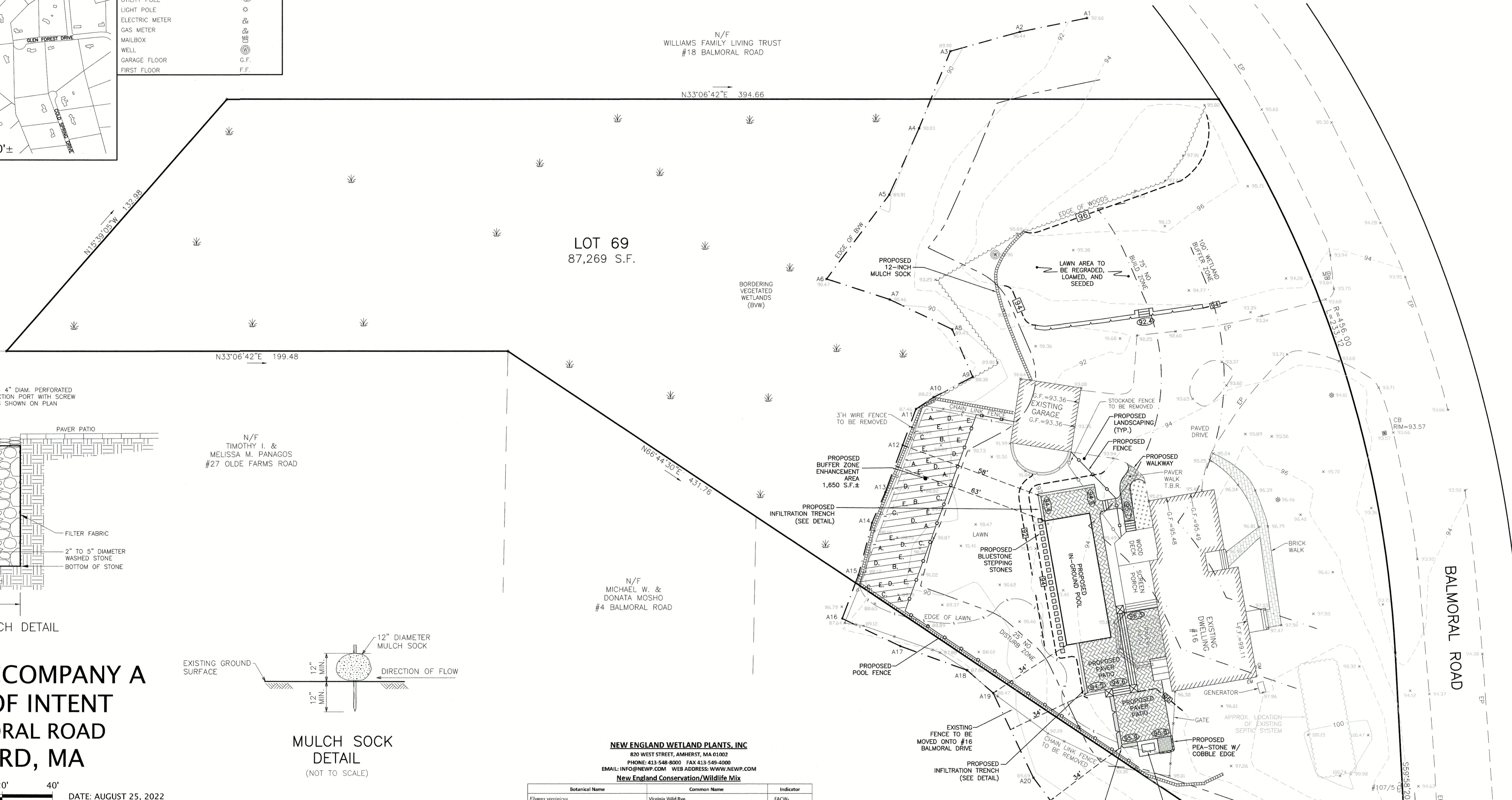
EXISTING 2-FOOT CONTOUR	92
EXISTING 10-FOOT CONTOUR	90
EXISTING SPOT ELEVATION	x 96.47
EDGE OF PAVEMENT	EP
EDGE OF DISTURBED	ED
STOCKADE FENCE	—x—x—x—
CHAIN LINK FENCE	—x—x—x—x—
WIRE FENCE	—x—x—x—
LANDSCAPE WALL	—x—x—x—
WETLAND FLAG	—x—x—x—
VERNAL POOL FLAG	—x—x—x—
CATCH BASIN	■
UTILITY POLE	○
LIGHT POLE	☆
ELECTRIC METER	⊕
GAS METER	⊕
MAILBOX	⊕
WELL	⊕
GARAGE FLOOR	G.F.
FIRST FLOOR	F.F.

- NOTES:**
- ALL ELEVATIONS SHOWN ARE REFERENCED TO AN ASSUMED DATUM.
 - EXISTING TOPOGRAPHY SHOWN IS THE RESULT OF AN ACTUAL INSTRUMENT SURVEY CONDUCTED BY WILLIAMS & SPARAGES LLC ON AUGUST 8, 2020 AND JUNE 11, 2021.
 - WETLAND RESOURCE AREAS DELINEATED BY WILLIAMS & SPARAGES LLC ON AUGUST 18, 2020.

ASSESSORS MAP REFERENCE:
MAP 23 BLOCK 2 PARCEL 26

ZONING DISTRICT: RESIDENCE
-AGRICULTURAL DISTRICT (R-A)

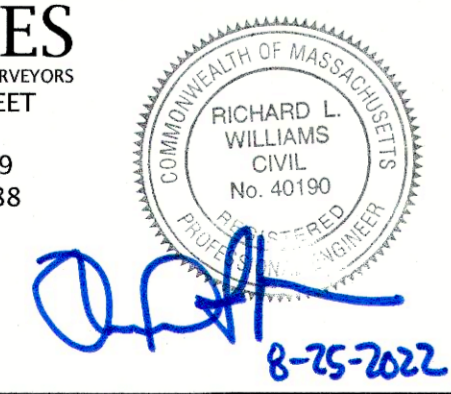
MINIMUM LOT AREA = 2 ACRES
 MINIMUM LOT FRONTAGE = 250 FEET
 FRONT YARD SETBACK = 50 FEET
 SIDE YARD SETBACK = 25 FEET
 REAR YARD SETBACK = 25 FEET
 MAXIMUM LOT COVERAGE = 25%
 MAXIMUM BUILDING HEIGHT = 35 FEET
 MAXIMUM BUILDING HEIGHT = 3 STORIES



PLAN TO ACCOMPANY A NOTICE OF INTENT
16 BALMORAL ROAD
BOXFORD, MA

SCALE: 1" = 20' DATE: AUGUST 25, 2022

WILLIAMS & SPARAGES
 ENGINEERS | PLANNERS | SURVEYORS
 189 NORTH MAIN STREET
 SUITE 101
 MIDDLETON, MA 01949
 PHONE: (978) 539-8088
 FAX: (978) 539-8200
 WSENGINEERS.COM



PROPOSED BUFFER ZONE ENHANCEMENT AREA SPECIES

- A. (8) - #5 Highbush Blueberry *VACCINIUM CORYMBOSUM*
- B. (3) - 5'-6" Red Maple *ACER RUBRUM*
- C. (6) - #5 Sweet Pepperbush *CLETHRA ALNIFOLIA*
- D. (8) - #5 Silky Dogwood *CORNUS AMOMUM*
- E. (14) - #2 Wood Fern *DRYOPTERIS*

SEED MIX:
 NEW ENGLAND CONSERVATION/WILDLIFE SEED MIX
 APPLICATION RATE: 1 LB / 1,750 SQ. FT.

NEW ENGLAND WETLAND PLANTS, INC.
 820 WEST STREET, AMHERST, MA 01002
 PHONE: 413-548-8000 FAX 413-549-4000
 EMAIL: INFO@NEWP.COM WEB ADDRESS: WWW.NEWP.COM
New England Conservation/Wildlife Mix

Botanical Name	Common Name	Indicator
<i>Elymus virginicus</i>	Virginia Wild Rye	FACW-
<i>Schizachyrium scoparium</i>	Little Bluestem	FACU
<i>Andropogon gerardi</i>	Big Bluestem	FAC
<i>Festuca rubra</i>	Red Fescue	FACU
<i>Sorghastrum nutans</i>	Indian Grass	UPL
<i>Fanum virgatum</i>	Switch Grass	FAC
<i>Chamaecrista fasciculata</i>	Partridge Pea	FACU
<i>Desmodium canadense</i>	Showy Tick Trefoil	FAC
<i>Asclepias tuberosa</i>	Butterfly Milkweed	NI
<i>Bidens frondosa</i>	Beggar Ticks	FACW
<i>Eupatorium purpureum (Erechtium maculatum)</i>	Purple Joe Pye Weed	FAC
<i>Rudbeckia hirta</i>	Black Eyed Susan	FACU-
<i>Aster pilosus (Symphyotrichum pilosum)</i>	Heath (or Hairy) Aster	UPL
<i>Solidago juncea</i>	Early Goldenrod	

PRICE PER LB. \$39.50 MIN. QUANTITY 2 LBS. TOTAL \$79.00 APPLY: 25 LBS/ACRE (1750 sq ft/lb)

The New England Conservation/Wildlife Mix provides a permanent cover of grasses, wildflowers, and legumes for both good erosion control and wildlife habitat value. The mix is designed to be a no maintenance seeding, and is appropriate for cut and fill slopes, detention basin side slopes, and disturbed areas adjacent to commercial and residential projects. The New England Wetland Plants, Inc. may modify seed mass at any time depending upon seed availability. The design criteria and ecological function of the mix will remain unchanged. Price is 5/5 bulk pound, FOB warehouse. Plus SH and applicable taxes.